



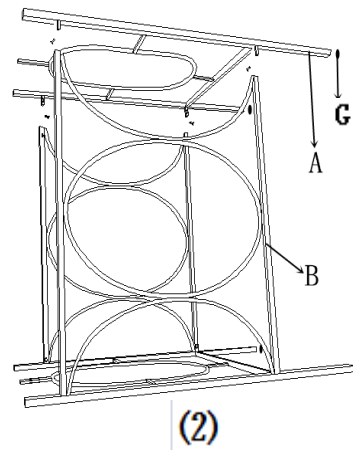
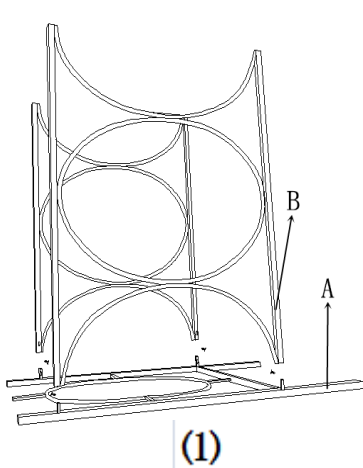
UTTERMOST

24543 Assembly Instruction

Parts/Hardware list

A	Side Legs	2PCS	D	Top glass(thicker)	1PC
B	Stretcher	2PCS	E	Bottom glass (thiner)	1PC
C	Top Shelf	1PC	F	Screws	12PCS
			G	Felt pad	4PCS

1. Take the parts carefully out of the carton, and place them on a flat and soft surface, making sure that the parts will not be damaged.
2. Use 4 Screws (F) to assemble the Side Leg(A) and 2 Stretcher(B) together for one side like below picture (1)
3. Use 4 Screws (F) to assemble the Side Leg(A) on another side of Stretcher(B) together like below picture (2).



4. Stick the Felt pad (G) on the bottom of 4 feet on the Side Legs(A).
5. Let down above frame. Use 4 Screws (F) to assemble the Top Shelf(C) on Side legs (A) like below picture (3)
6. Please carefully place the Top glass(thicker) (D) on Top shelf(C) ,
Bottom glass (thiner)(E) on lower shelf as show in below picture (4).
7. Softly clean & wipe with dry cloth.

